

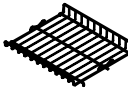

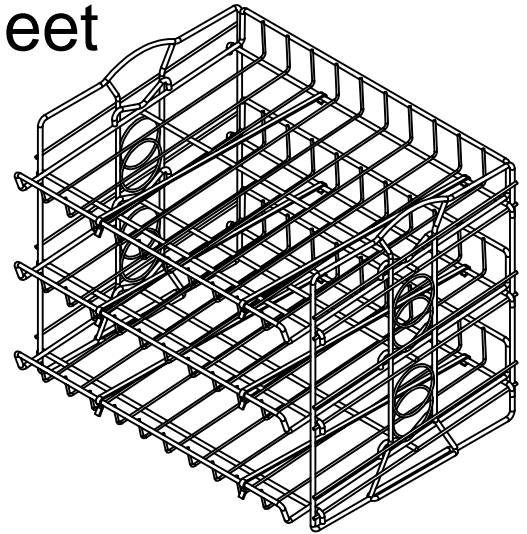




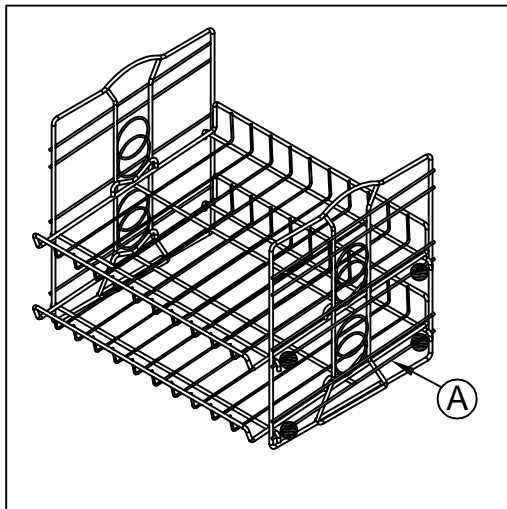
Instruction Sheet

NO.	①	②	③	④
Part	 Left frame	 Right frame	 Wire shelf	 Flat wire divider
QTY	1	1	3	6



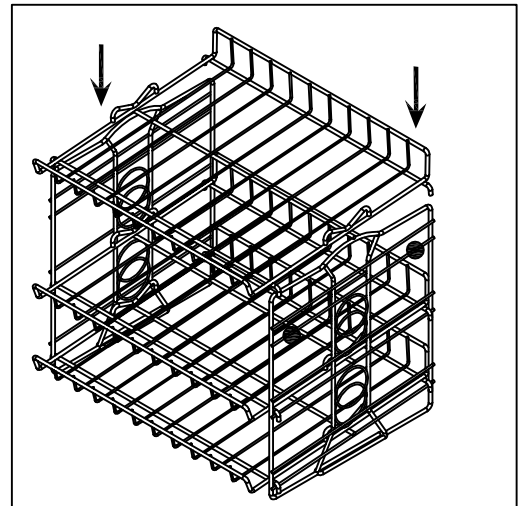
Suggest two people to install

STEP 1



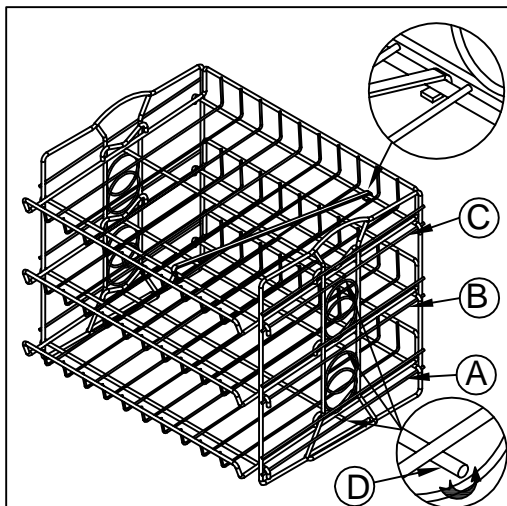
Hold the Left and Right Frame simultaneously, then put a wire shelf hook to the bottom wire A of the two frame.

STEP 2



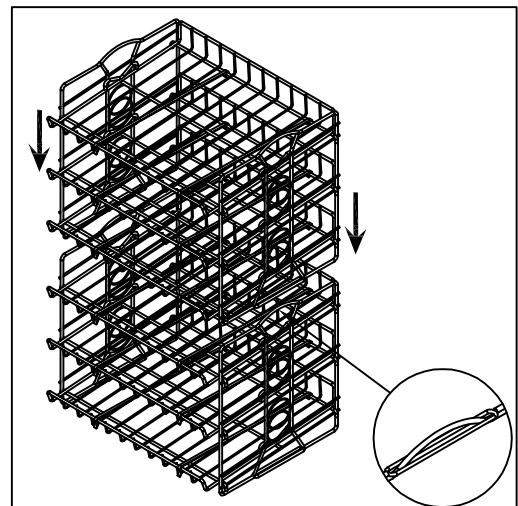
Repeat Step 1 till the three wire shelves are hooked to the two frames.

STEP 3



Pull up the wire A, B, C onto the shelf tips D of two sides. Then use the flat wire divider for cans with different size, 2 dividers per shelf.

STEP 4



Hold up one rack and aim the bottom wire slot to another handle for stacking purpose.