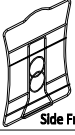
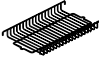




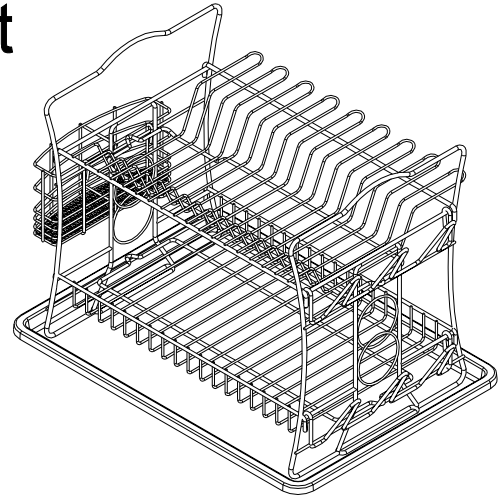




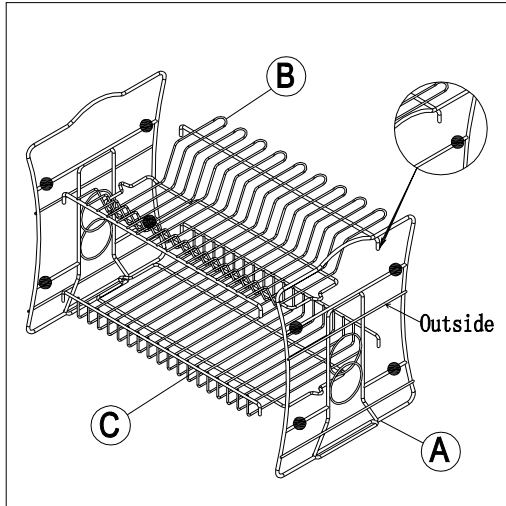
# Instruction Sheet

NO.	(A)	(B)	(C)	(D)	(E)	(F)
Part	 Side Frame	 Bottom Shelf	 Upper Shelf	 Utensil Holder	 Glass Holder	 Drip Tray
QTY	2	1	1	1	2	1



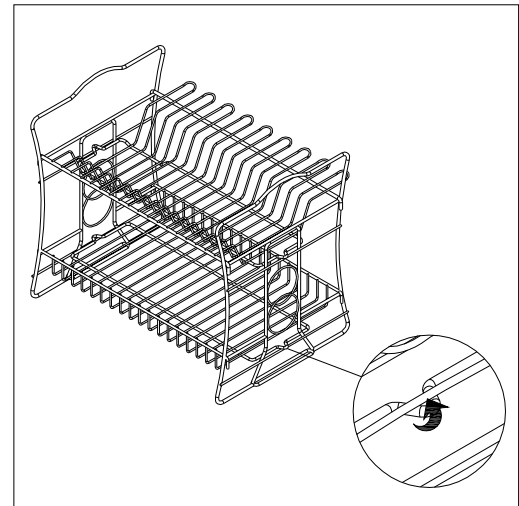
Suggest two people to install

## STEP 1



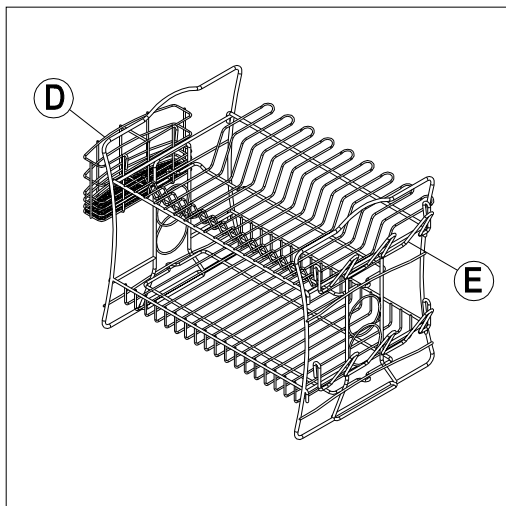
Firstly put the Bottom Shelf onto the two Side Frames, then the Upper Shelf, make sure the wire of frame is outside.

## STEP 2



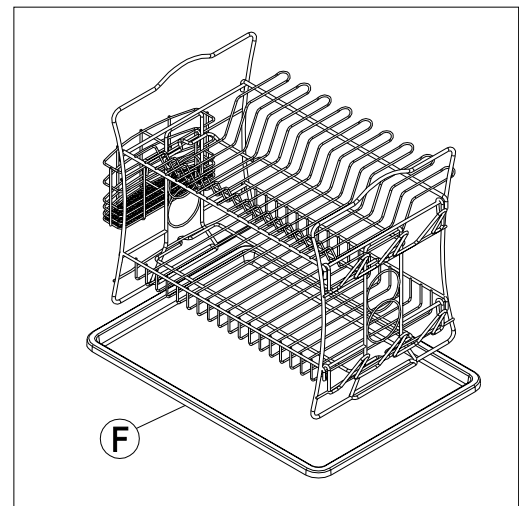
Pull up the slim wire of two side frame onto the shelf hook tips.

## STEP 3



Hang the Utensil Holder and Glass Holder to the two side frame separately.

## STEP 4



Put this Dish Rack onto the Drip Tray.